

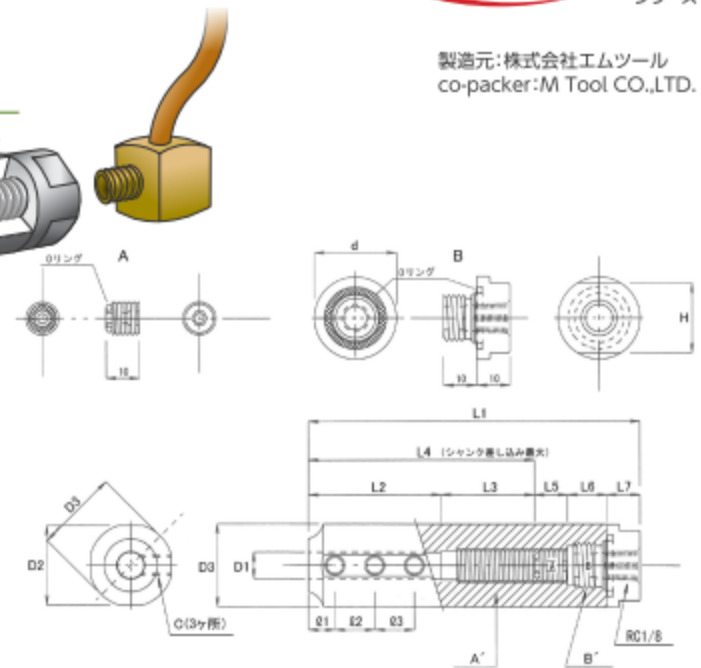
MT-JS

NEW



自動盤用クーラントスリーブ Coolant sleeve for automatic Lathe

製造元:株式会社エムツール
co-packer:M Tool CO.,LTD.



意匠登録済み
Finishing of Design registration

特長 Feature

- 独自の構造により、高圧でのクーラントの漏れを大幅に低減!!
- 自動盤の切り屑噛みによる、インサートの破損を低減
- コンパクト設計
- 挿入するホルダーのシャンク径を、φ8・φ10・φ12に特化
- 油性・水溶性、どちらのクーラントも使用可能
- 挿入するホルダーは、各社メーカーに対応
- Decrease leakage of coolant under high pressure due to original structure !!
- Damaged insert by chip is decreased.
- Compact design.
- Inserted holder shank diameter is specialized only for φ8・φ10・φ12.
- Both coolant are available such as oiliness and water-based.
- Other company spec products will be released.

単位: mm

商品コード Item Code	D1	D2	D3	C	φ1	φ2	φ3	A'	B'	L1	L2	L3	L4	L5	L6	L7	H	d
MT-JS2008100-TM	8	19	20	M5	8	12	12	M10	M12	100	40	28	68	10	12	10	17	18.8
MT-JS2010100-TM	10	19	20	M5	8	12	12	M12	M12	100	40	28	68	10	12	10	17	18.8
MT-JS2012100-TM	12	19	20	M5	8	12	12	M14	M14	100	40	28	68	10	12	10	17	18.8
MT-JS2208110-S	8	21	22	M5	8	12	12	M10	M14	110	40	38	78	10	12	10	19	22
MT-JS2210110-S	10	21	22	M6	8	12	12	M12	M14	110	40	38	78	10	12	10	19	22
MT-JS2212100-S	12	21	22	M6	8	12	12	M14	M14	100	40	28	68	10	12	10	19	22
MT-JS2508100-TM	8	24	25	M5	8	12	12	M10	M14	100	40	28	68	10	12	10	19	23.8
MT-JS2510100-TM	10	24	25	M6	8	12	12	M12	M14	100	40	28	68	10	12	10	19	23.8
MT-JS2512100-TM	12	24	25	M6	8	12	12	M14	M14	100	40	28	68	10	12	10	19	23.8
MT-JS3208100-T	8	31	32	M5	8	12	12	M10	M14	100	40	28	68	10	12	10	24	30.8
MT-JS3210100-T	10	31	32	M6	8	12	12	M12	M14	100	40	28	68	10	12	10	24	30.8
MT-JS3212100-T	12	31	32	M6	8	12	12	M14	M14	100	40	28	68	10	12	10	24	30.8
MT-JS19050870-C	8	18	19.05	M5	8	10	10	M12	M12	70	35	6.5	41.5	10	10	8.7	15	17.8
MT-JS19051070-C	10	18	19.05	M5	8	10	10	M12	M12	70	35	6.5	41.5	10	10	8.7	15	17.8
MT-JS190508100-C	8	18	19.05	M5	8	10	10	M12	M12	100	40	31	71	10	10	8.7	15	17.8
MT-JS190510100-C	10	18	19.05	M5	8	10	10	M12	M12	100	40	31	71	10	10	8.7	15	17.8

[S]=スター精密用、[T]=ツガミ用、[TM]=ツガミ・ミヤノ共用、[C]=シチズン用 ※なお、シチズン用は、近日発売予定です。
[S]:STAR MICRONICS、[T]:TSUGAMI、[TM]:TSUGAMI and MIYANO、[C]:CITIZEN MACHINERY ※For CITIZEN, it will be released soon.

■部品 Parts

単位: mm

商品コード Item Code	ホルダー締め付け用 Hexagon socket set screw for holder clamping	ホルダー締め付け用 六角レンチ Hex key for holder clamping	クーラント穴用 ホルダーセット Hexagon socket set screw for oil hole adjustment	クーラント穴用 Oリング O-ring for oil hole	クーラント穴用 六角レンチ Hex key for oil hole clamping	ヘッドキャップ head cap Holder	キャップ用 Oリング O-ring for head cap Holder
MT-JS2008100-TM	HS-M5-6L	H-2.5	HS-M10X10LS	P-4FKM	H-5	200810HC	P-12.5FKM
MT-JS2010100-TM	HS-M5-5L	H-2.5	HS-M12X10LS	P-5FKM	H-6	200810HC	P-12.5FKM
MT-JS2012100-TM	HS-M5-5L	H-2.5	HS-M14X10LS	P-6FKM	H-6	2012HC	P-15FKM
MT-JS2208110-S	HS-M5-6L	H-2.5	HS-M10X10LS	P-4FKM	H-5	22HC	P-15FKM
MT-JS2210110-S	HS-M6-6L	H-3	HS-M12X10LS	P-5FKM	H-6	22HC	P-15FKM
MT-JS2212100-S	HS-M6-5L	H-3	HS-M14X10LS	P-6FKM	H-6	22HC	P-15FKM
MT-JS2508100-TM	HS-M5-8L	H-2.5	HS-M10X10LS	P-4FKM	H-5	25HC	P-15FKM
MT-JS2510100-TM	HS-M6-6L	H-3	HS-M12X10LS	P-5FKM	H-6	25HC	P-15FKM
MT-JS2512100-TM	HS-M6-6L	H-3	HS-M14X10LS	P-6FKM	H-6	25HC	P-15FKM
MT-JS3208100-T	HS-M5-10L	H-2.5	HS-M10X10LS	P-4FKM	H-5	32HC	P-15FKM
MT-JS3210100-T	HS-M6-10L	H-3	HS-M12X10LS	P-5FKM	H-6	32HC	P-15FKM
MT-JS3212100-T	HS-M6-10L	H-3	HS-M14X10LS	P-6FKM	H-6	32HC	P-15FKM
MT-JS19050870-C	HS-M5-6L	H-2.5	HS-M10X10LS	P-4FKM	H-5	1905HC	P-12.5FKM
MT-JS19051070-C	HS-M5-5L	H-2.5	HS-M12X10LS	P-5FKM	H-6	1905HC	P-12.5FKM
MT-JS190508100-C	HS-M5-6L	H-2.5	HS-M10X10LS	P-4FKM	H-5	1905HC	P-12.5FKM
MT-JS190510100-C	HS-M5-5L	H-2.5	HS-M12X10LS	P-5FKM	H-6	1905HC	P-12.5FKM

ボアリングスリーブ